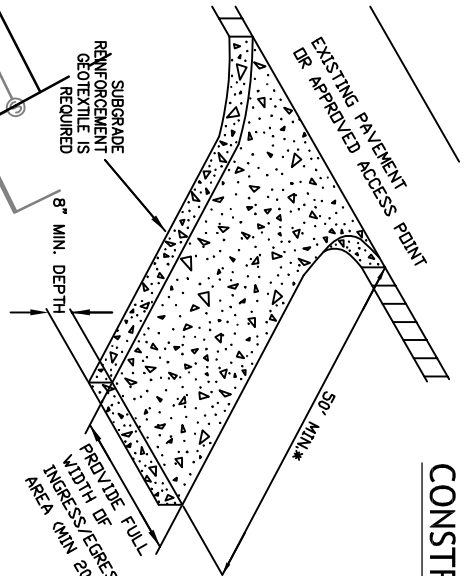
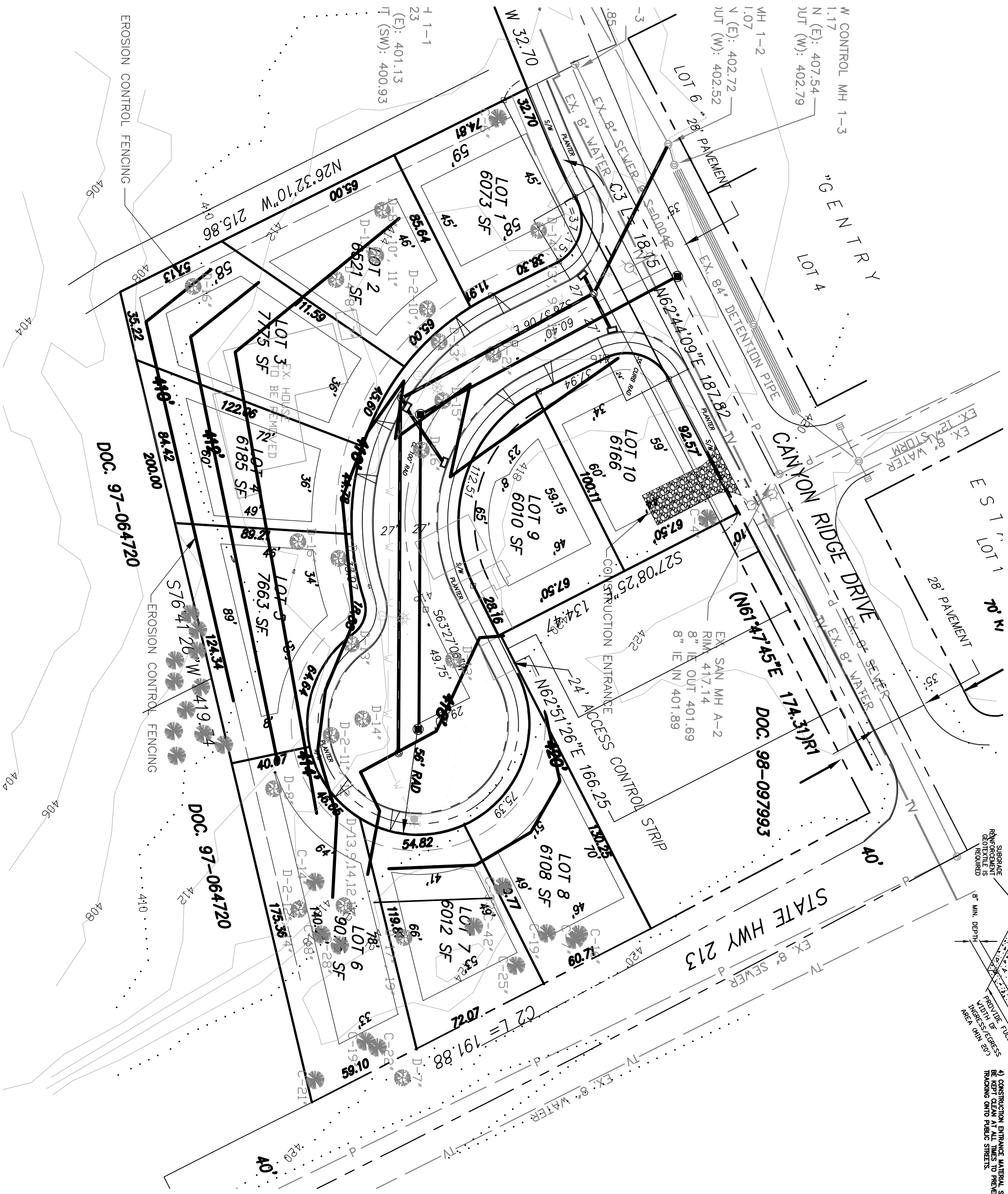


PRELIMINARY EROSION CONTROL



- NOTES:**
- 1) CONSTRUCTION ENTRANCES SHALL BE DIMENSIONS = 50 FEET LONG BY 20 FEET WIDE WITH 2" GRANULAR FILL UNDER STALLS WHICH SHALL BE STITCHED TOGETHER.
 - 2) SUBGRADE SCOTCH FIBRE REQUIRED TO PRESENT 50% SOL. TRAP MASSING INTO FILL. THE CITY'S DISCRETION.
 - 3) THE WASH FACILITY SHALL BE INSTALLED AT THE CITY'S DISCRETION.
 - 4) CONSTRUCTION ENTRANCE MATERIAL SHALL BE 2" GRANULAR FILL. ALL ACCESS TO PRESENT TRAFFIC SHALL BE MAINTAINED.

